



 **hyzer** me



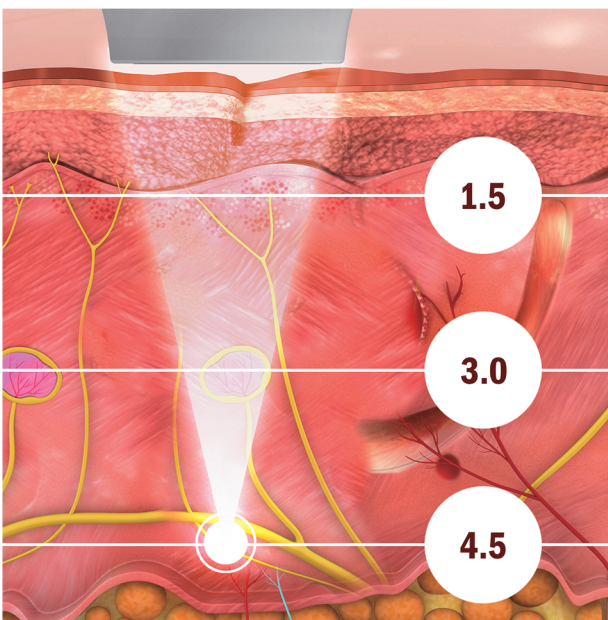
hyzer me

hyzer me is a non-surgical treatment that promotes face lifting and skin tightening. By delivering HIFU energy into multiple skin depths, it stimulates tissue remodeling and the production of new collagen.

hyzer me uses advanced compact transducers in conjunction with its patented piezo-electric linear motion technique, to deliver fast and consistent energy throughout treatments with outstanding results. Its patented piezo-linear motion technique enables a faster treatment speed, with 300 shots for 5-8 minutes via quick motion control.



HOW DOES **hyzer me** WORK?



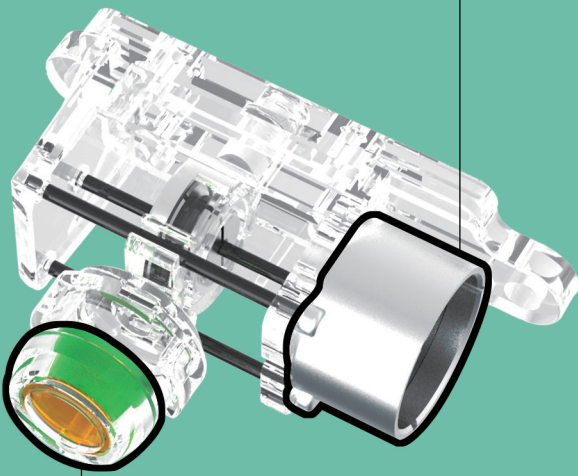
- 1 The **hyzer me** delivers focused ultrasound energy directly into precise skin depths, causing thermal coagulation in the targeted area.
- 2 This process stimulates tissue remodeling and the production of new collagen.
- 3 The collagen regeneration results in natural skin lifting, tightening and rejuvenation as well as reduced fine lines and wrinkles.

hyzer me ADVANTAGES

THESE ADVANCED TECHNOLOGIES CAN ACHIEVE EFFECTIVE THERMAL EFFECT TO THE CORRECT DEPTH FOR NON-SURGICAL FACE LIFTING AND WRINKLE REDUCTION.

ULTRA FAST TREATMENT WITH PATENTED Piezoelectric linear motor

By integrating its patented piezo-linear motion technique, treatment times are reduced with 300 shots delivered every 5-8 minutes via precisely controlled quick movements.



NEXT GENERATION Transducer

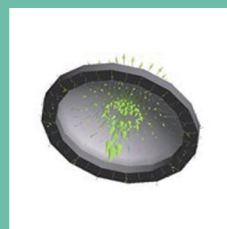
Unlike other competitor's transducers, **hyzer me's** reliable compact transducers are manufactured using an exclusive powder injection molding technique to ensure durability, even through prolonged use.

This unique design delivers fast and consistent energy throughout treatments.

NO ENERGY LOSS WITH Anti-vibration



Competitor



hyzer me

enables highly accurate energy radiation through decreasing loss and scattering of ultrasound energy for superior outcomes than other competitors' transducer.

hyzer me PREMIUM HANDPIECE & CARTRIDGE

2 DIFFERENT TYPES OF HANDPIECES – MAIN HANDPIECE AND PRECISION HANDPIECE ARE AVAILABLE WITH HYZER ME

MAIN HANDPIECE

Ergonomically designed with patented cartridge as all-in-one system that allows you to treat your patients with a high degree of comfort, speed and accuracy. It is the best for full facial treatment.



7MHz



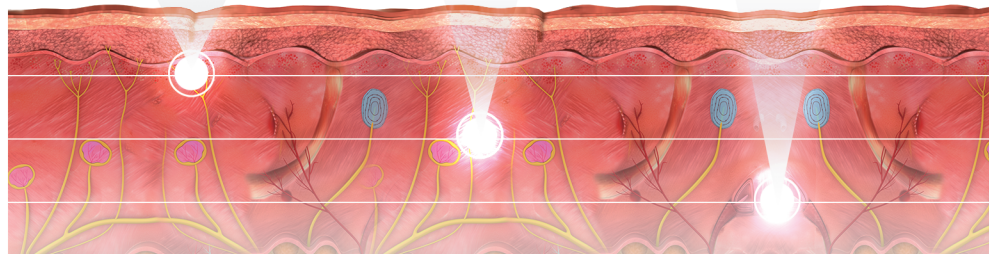
1.5mm



3.0mm



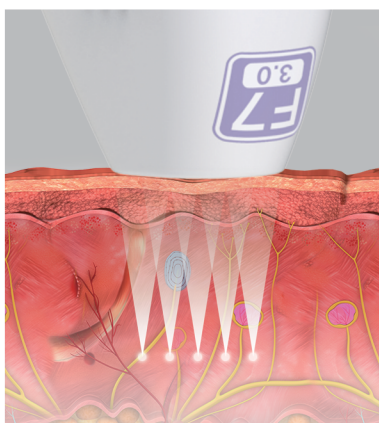
4.5mm



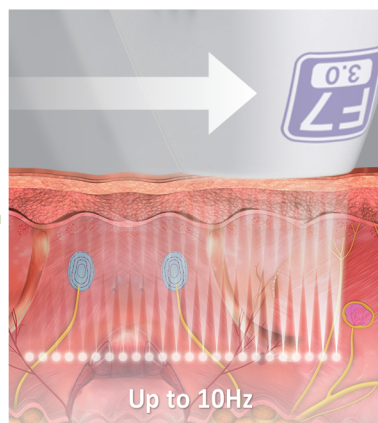
Interchangeable cartridges using the most reliable frequency of 7MHz, 3 different dermal layers are targeted.

PRECISION HANDPIECE

Uniquely designed with dual functional cartridge that permits perfectionists to have the option to treat with linear motion or dynamic motion whichever suits the treatment better. It is excellent for intensive treatment on specific or hard to reach areas.

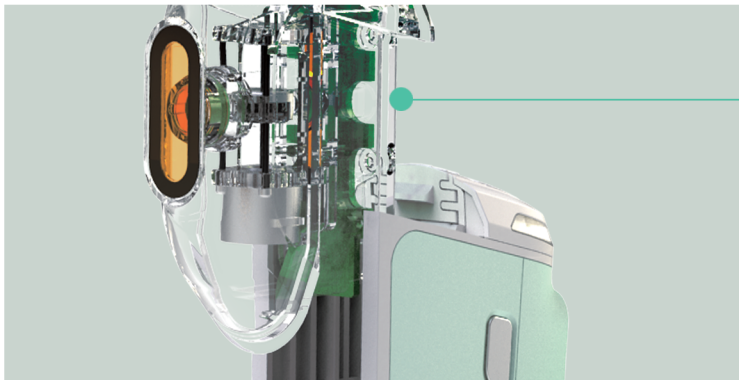


+



7MHz





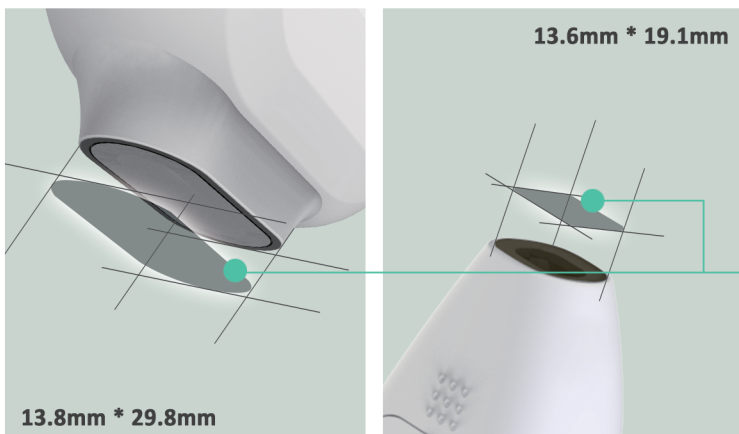
1 Perfectly sealed all-in-one design

will not be required to refill distill water into the cartridge.



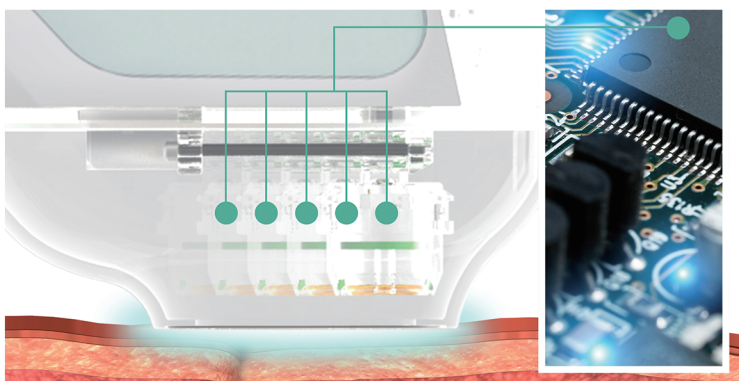
2 User friendly design

Unique trigger selection mode ensures ease of use to all practitioners, regardless of being right-handed or left-handed. Furthermore, the operator panel integrated hand piece allows the operator to easily adjust the treatment level in the middle of treatment.



3 Slim & compact transducer

makes the output area slimmer, and gives the practitioners better visualization of treatment areas for easy and precise treatment.



4 i-Smart Sensing

monitors the overall movement of the linear motion technique during operation. This helps to maintain the precise distance of each shot during operation to ensure best clinical outcomes.

ALLOWS YOU TO CARRY YOUR WORKPLACE WITH YOU AND WORK IN THE LIMITED SPACE. IN ADDITION, IT CAN BE A PERFECT SYSTEM WITH ITS OPTIONAL CART THAT OFFERS ADDITIONAL STORAGE FOR CARTRIDGES.



Oficiální distributor pro Českou a Slovenskou republiku

Airmed s.r.o.

Dlouhá 627, 253 03 Chýně

+420 776 787 021

info@airmed.cz

www.airmed.cz

SPECIFICATION

System	
Main Display	10.1"full color LCD (1280 X 800)
Sub Display	1.12"full color OLED (96 X 96)
Frequency	7 MHz
Power Level	1 ~ 9 Level
Dimensions	270 (W) X 290 (H) X 188 (D) (mm)
Weight	2,570 (g)

Main Cartridge	
Focusing Depth	1.5 mm (F7 1.5) / 3 mm (F7 3.0) / 4.5 mm (F7 4.5)
Watt	30 W
Pitch	1 (mm)
Treatment Area	13.8 X 29.8 (mm)
Dimensions	34.7 (W) X 68.8 (H) X 50.4 (D) (mm)

Precision Cartridge	
Focusing Depth	1.5 mm (F7 1.5) / 3 mm (F7 3.0) / 4.5 mm (F7 4.5)
Watt	30 W
Pitch	1 (mm)
Treatment Area	13.6 X 19.1 (mm)
Dimensions	25.3 (W) X 45.7 (H) X 47.3 (D) (mm)